

# Swivel Coupling

*Stainless Steel*

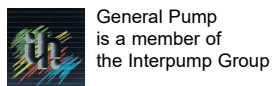
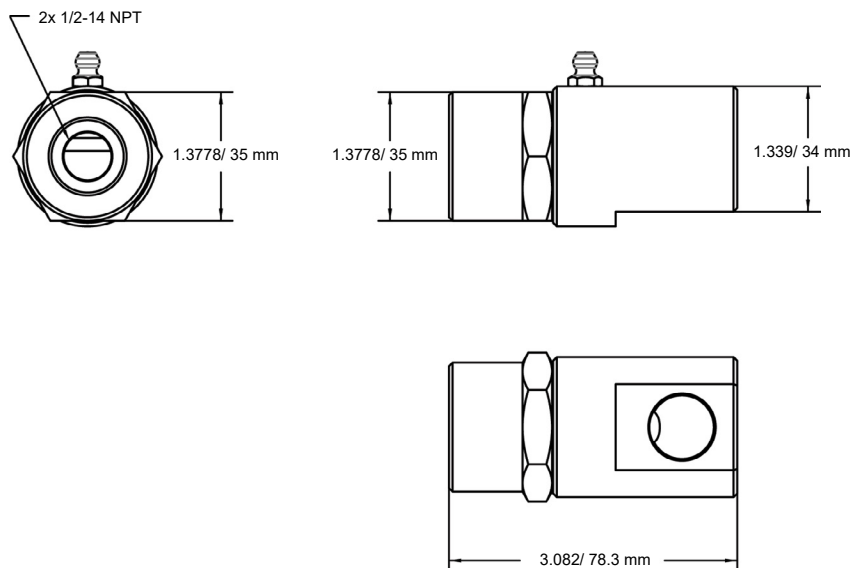
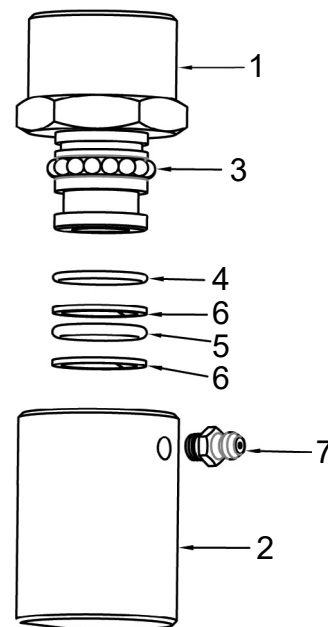


**SPECIFICATIONS**

Part Number	DSW9012SS
Flow Rate	10.5 GPM
Maximum Pressure	5,000 PSI
Maximum Temperature	200°F
Port Size	1/2" NPT-14
Dimensions	3.1" x Ø1.5"
Weight	17.5 OZ
Materials	Stainless Steel, Buna-N, Teflon

**PARTS LIST**

ITEM NO.	PART NUMBER	DESCRIPTION	QTY.
1	2520176	Stem	1
2	2520177	Body	1
3	2520178	Ball	16
4	2701086	O-Ring	1
5	2701087	O-Ring	1
6	2710031	Backup Ring	2
7	2640044	Zerk, Grease, 1/4-28	1



Ref 310111 Rev. A  
03-18

