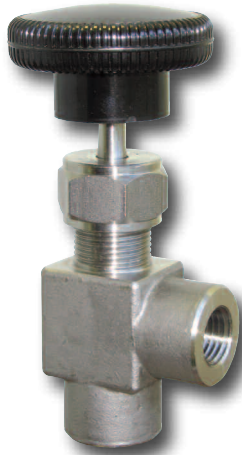


NEEDLE VALVE

Inline Adjustable Needle Valve



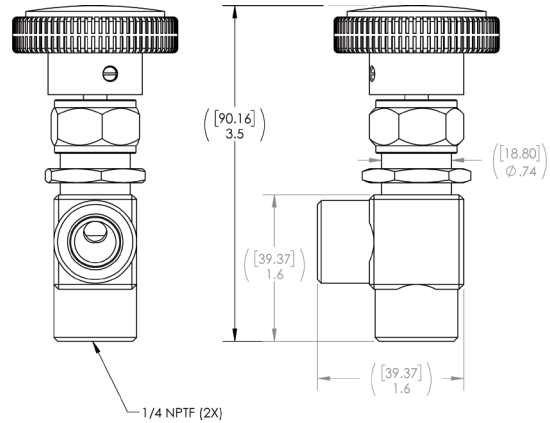
SPECIFICATIONS

Part Number	WMNV14SS
Maximum Flow	5.0 GPM
Maximum Pressure	4,000 PSI
Maximum Temperature	150° F
Ports Sizes: Inlet	1/4" NPT-F
Outlet	1/4" NPT-F
Dimensions	2.0" x 2.0" x 3.5"
Weight	0.6 lb.
Materials	316 Stainless Steel, Teflon

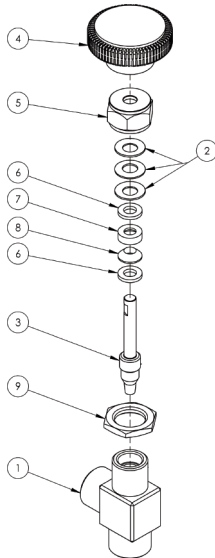
FEATURES

- Adjustable from full flow to full close
- Durable, comfortable handle
- Can be panel mounted in any position
- Made in the USA

DIMENSIONS



PARTS LIST



No.	Part Number	Description	Qty.
1.	520402	Needle Valve, Body	1
2.	720072	Needle Valve, Packing Spring	3
3.	520400	Needle Valve, Stem	1
4.	660255	Needle Valve, Knob	1
5.	520399	Needle Valve, Packing Nut	1
6.	200073	Needle Valve, Gland	2
7.	660256	Needle Valve, Upper Packing	1
8.	660257	Needle Valve, Lower Packing	1
9.	520401	Needle Valve, Panel Nut	1



General Pump
is a member of
the Interpump Group



Ref 310056 Rev. A
03-17

