

Fixed Chemical Injector

CPVC Body and Nozzle

FEATURES

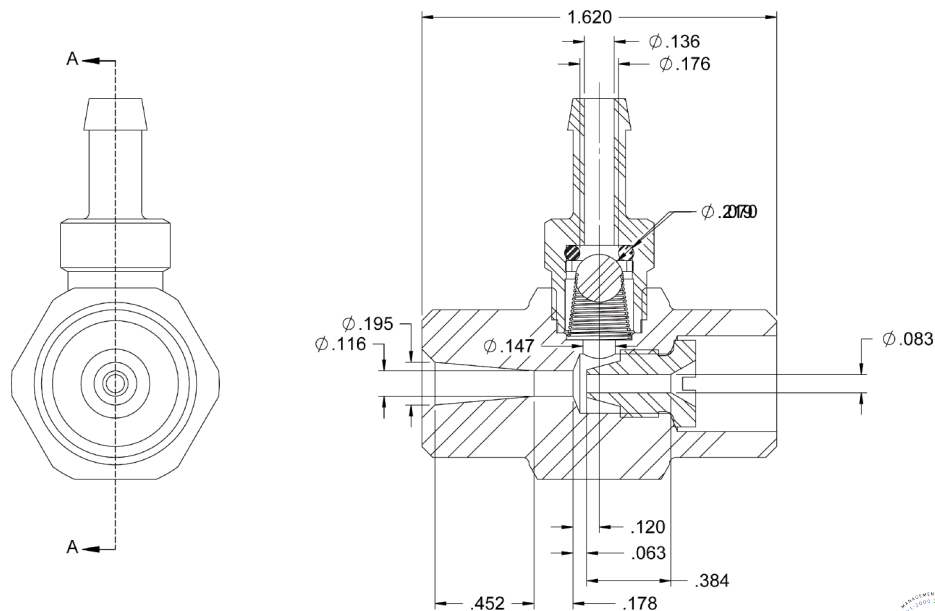
- Designed specifically for carwash applications
- Made in the USA
- A cost effective solution to your chemical application needs



SPECIFICATIONS

| MODEL | 100955 | 100956 | 100957 |
|------------------|---------------------|----------------|----------------|
| Orifice | 1.4 mm | 1.6 mm | 2.1 mm |
| Flow Rate | 1.0 to 2.0 GPM | 2.0 to 3.0 GPM | 3.0 to 5.0 GPM |
| O-Ring Material | Viton | | EPDM |
| Inlet | 1/2" NPT-M | | |
| Outlet | 1/2" NPT-M | | |
| Max. Temperature | 190° F | | |
| Hose Barb | 1/4" | | |
| Weight | .4 lbs. | | |
| Materials | CPVC, Kynar, Teflon | | |

DIMENSIONS



General Pump
is a member of
the Interpump Group

SECTION A-A
SCALE 2 : 1



Fixed Chemical Injectors

CPVC Body and Nozzle

GENERAL PUMP *A member of the Interpump Group*

INSTALLATION

This product is to be used with clean, fresh water. For different or corrosive liquids, contact GP Technical Service Department. With not clean liquids, appropriate filtration should be installed. Select the injector based on the nominal operating rating: system rated pressure, max flow and max temperature. Install valve with direction arrow pointing downstream. For proper operation a control device such as a dual lance wand, quick couple nozzles, or an adjustable nozzle holder must be used to lower the system pressure at the nozzle.

Under no circumstances should the pressure of the system exceed the maximum rated pressure of any component.

TROUBLESHOOTING

| PROBLEM | CAUSE | SOLUTION |
|--|--|--|
| Injector will not draw liquid | Incorrect nozzle System is not in low pressure mode Discharge hose is too long Chemical line is clogged | Check and change nozzle Change or adjust nozzle to put system in low pressure mode Reduce length of discharge hose or change injector* Clear chemical line of obstruction |
| Rate of draw seems too slow | Discharge hose is too long Air leak in chemical line Chemical is too viscous | Reduce length of discharge hose or change injector* Locate and repair leak Reduce chemical with water to decrease its viscosity |
| Chemical injector is leaking from hose barb | Obstruction in hose barb checkvalve Damaged o-ring in checkvalve | Disassemble and remove obstruction Remove and replace o-ring |
| Excessive pressure load on pump, motor or engine | Clogged injector Improperly sized injector orifice | Clear injector orifice of obstruction Change orifice* |

*Contact GP Technical Service for Assistance

PARTS LIST

| Item | Part Number | Description | QTY. |
|------|-------------|---------------------------------|------|
| 1 | 660128 | Housing, Injector, CPVC | 1 |
| 2 | 720038 | Spring, Conical Hastalloy | 1 |
| 3 | 660114 | Ball, Injector, 7/32" Dia. | 1 |
| 4 | 701032 | O-ring, 50 DURO,Viton | 1 |
| | 701059 | O-ring, 50 DURO, EPDM (100957) | 1 |
| 5 | 660110 | Retaining Ring, Kynar | 1 |
| 6 | 660126 | Hose Barb, Kynar | 1 |
| 7 | 660178 | Nozzle, Injector, CPVC (100955) | 1 |
| | 660179 | Nozzle, Injector, CPVC (100956) | 1 |
| | 660149 | Nozzle, Injector, CPVC (100957) | 1 |

