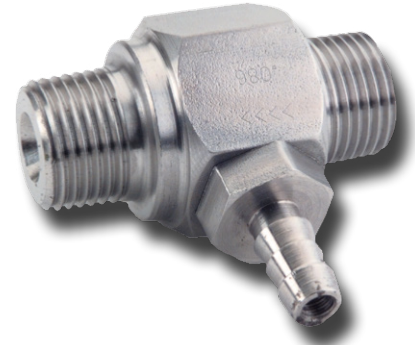


# Fixed Chemical Injector

*Stainless Steel Body and Nozzle*

## FEATURES

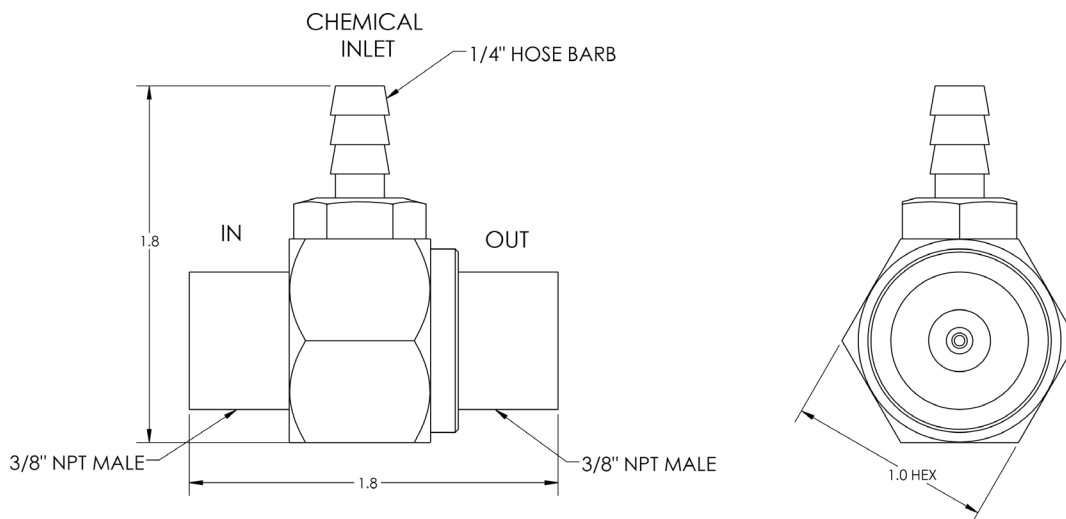
- Designed specifically for carwash applications
- Made in the USA
- A cost effective solution to your chemical application needs



## SPECIFICATIONS

MODEL	100996	101004	100075	100093	100074	100076	101010DG
Orifice	1.04 mm	1.30 mm	1.45 mm	2.10 mm	2.20 mm	2.50 mm	3.18 mm
Flow Rate	1.0 - 2.0 GPM			2.0 - 4.0 GPM	3.0 - 5.0 GPM	5.0 - 8.0 GPM	
O-Ring Material	EPDM						
Inlet	3/8" NPT-M						
Outlet	3/8" NPT-M						
Max. Pressure	5,500 PSI						
Max. Temp.	190° F						
Hose Barb	1/4"						
Weight	.4 lbs.						
Materials	316 SS, 304 SS, Kynar						

## DIMENSIONS



General Pump  
is a member of  
the Interpump Group



310128 Rev. A  
06-18



# Fixed Chemical Injectors

## SS Body and Nozzle

**GENERAL PUMP** *A member of the Interpump Group*

### INSTALLATION

This product is to be used with clean, fresh water. For different or corrosive liquids, contact GP Technical Service Department. With not clean liquids, appropriate filtration should be installed. Select the injector based on the nominal operating rating: system rated pressure, max flow and max temperature. Install valve with direction arrow pointing downstream. For proper operation a control device such as a dual lance wand, quick couple nozzles, or an adjustable nozzle holder must be used to lower the system pressure at the nozzle.

Under no circumstances should the pressure of the system exceed the maximum rated pressure of any component.

### TROUBLESHOOTING

PROBLEM	CAUSE	SOLUTION
Injector will not draw liquid	Incorrect nozzle System is not in low pressure mode  Discharge hose is too long  Chemical line is clogged	Check and change nozzle Change or adjust nozzle to put system in low pressure mode Reduce length of discharge hose or change injector* Clear chemical line of obstruction
Rate of draw seems too slow	Discharge hose is too long  Air leak in chemical line Chemical is too viscous	Reduce length of discharge hose or change injector* Locate and repair leak Reduce chemical with water to decrease its viscosity
Chemical injector is leaking from hose barb	Obstruction in hose barb checkvalve  Damaged o-ring in checkvalve	Disassemble and remove obstruction Remove and replace o-ring
Excessive pressure load on pump, motor or engine	Clogged injector Improperly sized injector orifice	Clear injector orifice of obstruction Change orifice*

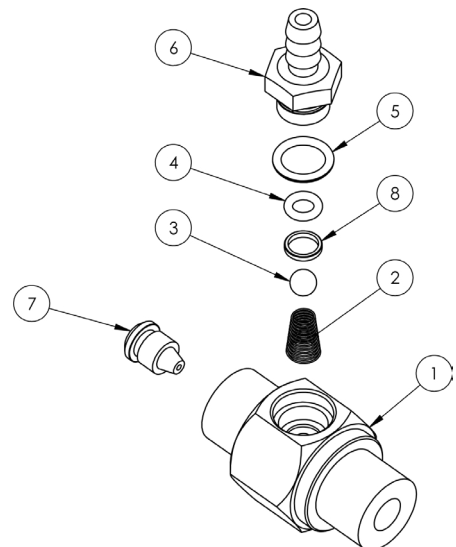
\*Contact GP Technical Service for Assistance

### PARTS LIST

For 100074, 100075, 100076, 100093 Injectors

Item	Part Number	Description	QTY.
1	Item A	Housing Injector	1
2	720040	Spring, Conical, .437FL, 316 SS	1
3	520008	Ball, 7/32, 316 SS	1
4	701059	O-Ring, 50 DURO, EPDM, .176 ID x .070 CS	1
5	701012E	O-Ring, 70 DURO, EPDM, .364 ID x .070 CS	1
6	520122	Hose Barb, Injector, Threaded	1
7	Item B	Nozzle, Injector	1
8	660110	Retaining Ring, Injector O-Ring, KYNAR	1

Part Number	"Item A" Body P/N	Body Hole Dia.	"Item B" Nozzle P/N	Nozzle Hole Dia.
100074	520119	.116	520065	.086
100075	520120	.076	520072	.057
100076	520121	.150	520073	.098
100093	520119	.116	520066	.083



310128 Rev. A  
06-18



# Fixed Chemical Injectors

## SS Body and Nozzle

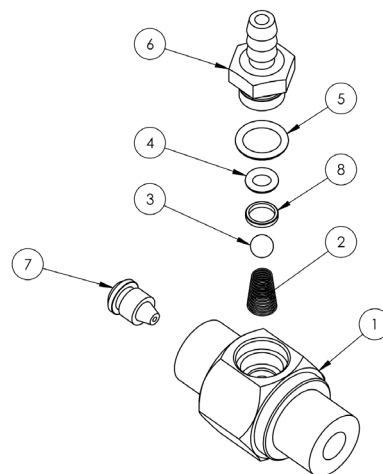
**GENERAL PUMP** *A member of the Interpump Group*

### PARTS LIST CONT.

#### For 100996 & 101004 Injectors

Item	Part Number	Description	QTY.
1	"Item A"	Housing, Injector	1
2	720040	Spring, Conical, .437FL, 316 SS	1
3	520008	Ball, 7/32, 316 SS	1
4	701032	O-Ring, 50 DURO, VITON, .176 ID x .070 CS	1
5	701050	O-Ring, 70 DURO, VITON, .364 ID x .070 CS	1
6	520122	Hose Barb, Injector, Threaded	1
7	"Item B"	Nozzle, Injector	1
8	660110	Retaining Ring, Injector O-Ring, KYNAR	1

Part Number	"Item A" Body P/N	Body Hole Dia.	"Item B" Nozzle P/N	Nozzle Hole Dia.
100996	520120	.076	520361	.041
101004	520120	.076	520363	.051



#### For 101010DG Injector

Item	Part Number	Description	QTY.
1	"Item A"	Housing, Injector, 3/8" NPT, SS, .076 DIA	1
2	720038	Spring, Conical, .437 FL, Hastelloy	1
3	640002	Ceramic Ball 7/32", Crade C 25	1
4	660110	Retaining Ring, Injector O-Ring, KYNAR	1
5	701107	O-Ring, .364 ID x .070 CS	1
6	701104	O-Ring, .176 ID x .070 CS	1
7	"Item B"	Barb, Overmolded KYNAR	1
8	"Item C"	Nozzle, Injector, SS	1

Part Number	"Item A" Body P/N	Body Hole Dia.	"Item B" Nozzle P/N	Hose Barb Color	"Item C" Nozzle	Nozzle Hole Dia.
101010DG	520121	.150	660258DG	Dark Green	520373	.125

