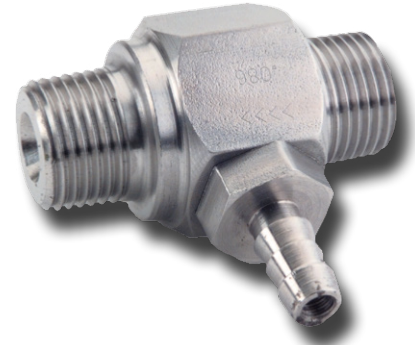


# Fixed Chemical Injector

*Stainless Steel Body and Nozzle*

## FEATURES

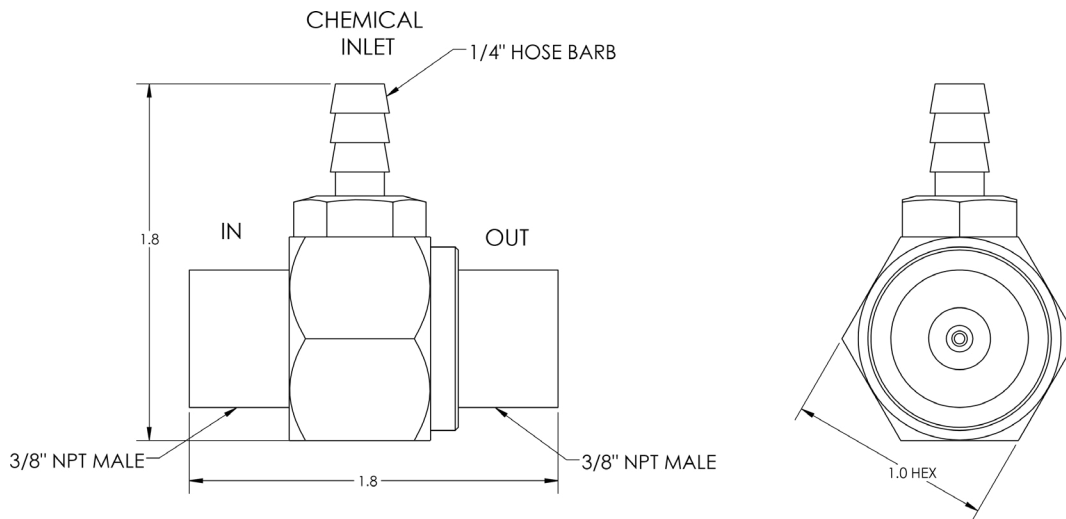
- Designed specifically for carwash applications
- Made in the USA
- A cost effective solution to your chemical application needs



## SPECIFICATIONS

| MODEL           | 100996                | 101004  | 100075  | 100093        | 100074        | 100076        | 101010DG |
|-----------------|-----------------------|---------|---------|---------------|---------------|---------------|----------|
| Orifice         | 1.04 mm               | 1.30 mm | 1.45 mm | 2.10 mm       | 2.20 mm       | 2.50 mm       | 3.18 mm  |
| Flow Rate       | 1.0 - 2.0 GPM         |         |         | 2.0 - 4.0 GPM | 3.0 - 5.0 GPM | 5.0 - 8.0 GPM |          |
| O-Ring Material | EPDM                  |         |         |               |               |               |          |
| Inlet           | 3/8" NPT-M            |         |         |               |               |               |          |
| Outlet          | 3/8" NPT-M            |         |         |               |               |               |          |
| Max. Pressure   | 5,500 PSI             |         |         |               |               |               |          |
| Max. Temp.      | 190° F                |         |         |               |               |               |          |
| Hose Barb       | 1/4"                  |         |         |               |               |               |          |
| Weight          | .4 lbs.               |         |         |               |               |               |          |
| Materials       | 316 SS, 304 SS, Kynar |         |         |               |               |               |          |

## DIMENSIONS



General Pump  
is a member of  
the Interpump Group



310128 Rev. A  
06-18



# Fixed Chemical Injectors

## SS Body and Nozzle

**GENERAL PUMP** *A member of the Interpump Group*

### INSTALLATION

This product is to be used with clean, fresh water. For different or corrosive liquids, contact GP Technical Service Department. With not clean liquids, appropriate filtration should be installed. Select the injector based on the nominal operating rating: system rated pressure, max flow and max temperature. Install valve with direction arrow pointing downstream. For proper operation a control device such as a dual lance wand, quick couple nozzles, or an adjustable nozzle holder must be used to lower the system pressure at the nozzle.

Under no circumstances should the pressure of the system exceed the maximum rated pressure of any component.

### TROUBLESHOOTING

| PROBLEM  | CAUSE  | SOLUTION  |
|--|--|---|
| Injector will not draw liquid                    | Incorrect nozzle<br>System is not in low pressure mode<br><br>Discharge hose is too long                           | Check and change nozzle<br>Change or adjust nozzle to put system in low pressure mode<br>Reduce length of discharge hose or change injector*                                    |
| Rate of draw seems too slow                      | Chemical line is clogged<br>Discharge hose is too long<br><br>Air leak in chemical line<br>Chemical is too viscous | Clear chemical line of obstruction<br>Reduce length of discharge hose or change injector*<br><br>Locate and repair leak<br>Reduce chemical with water to decrease its viscosity |
| Chemical injector is leaking from hose barb      | Obstruction in hose barb checkvalve<br><br>Damaged o-ring in checkvalve  | Disassemble and remove obstruction<br><br>Remove and replace o-ring   |
| Excessive pressure load on pump, motor or engine | Clogged injector<br>Improperly sized injector orifice  | Clear injector orifice of obstruction<br>Change orifice*  |

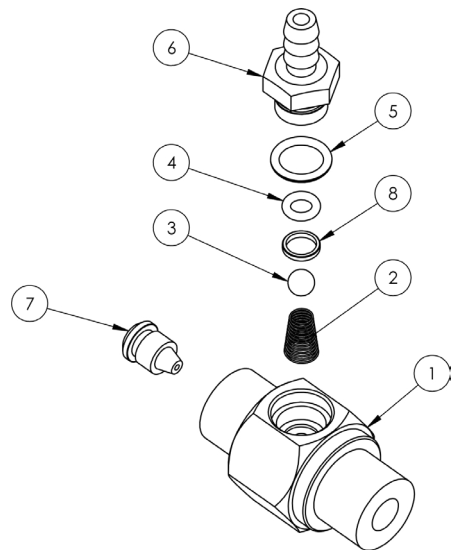
\*Contact GP Technical Service for Assistance

### PARTS LIST

#### For 100074, 100075, 100076, 100093 Injectors

| Item | Part Number | Description                              | QTY. |
|------|-------------|--|------|
| 1    | Item A      | Housing Injector                         | 1    |
| 2    | 720040      | Spring, Conical, .437FL, 316 SS          | 1    |
| 3    | 520008      | Ball, 7/32, 316 SS                       | 1    |
| 4    | 701059      | O-Ring, 50 DURO, EPDM, .176 ID x .070 CS | 1    |
| 5    | 701012E     | O-Ring, 70 DURO, EPDM, .364 ID x .070 CS | 1    |
| 6    | 520122      | Hose Barb, Injector, Threaded            | 1    |
| 7    | Item B      | Nozzle, Injector                         | 1    |
| 8    | 660110      | Retaining Ring, Injector O-Ring, KYNAR   | 1    |

| Part Number | "Item A" Body P/N | Body Hole Dia. | "Item B" Nozzle P/N | Nozzle Hole Dia. |
|-------------|-------------------|----------------|---------------------|------------------|
| 100074      | 520119            | .116           | 520065              | .086             |
| 100075      | 520120            | .076           | 520072              | .057             |
| 100076      | 520121            | .150           | 520073              | .098             |
| 100093      | 520119            | .116           | 520066              | .083             |



310128 Rev. A  
06-18



# Fixed Chemical Injectors

## SS Body and Nozzle

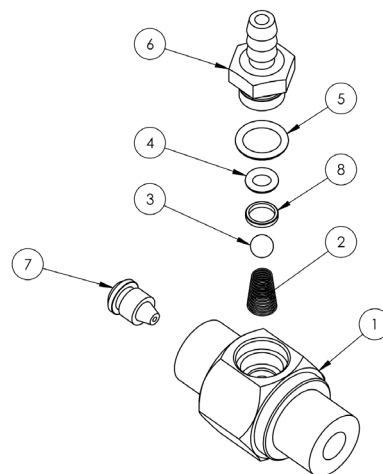
**GENERAL PUMP** A member of the Interpump Group

### PARTS LIST CONT.

#### For 100996 & 101004 Injectors

| Item | Part Number | Description                               | QTY. |
|------|-------------|---|------|
| 1    | "Item A"    | Housing, Injector                         | 1    |
| 2    | 720040      | Spring, Conical, .437FL, 316 SS           | 1    |
| 3    | 520008      | Ball, 7/32, 316 SS                        | 1    |
| 4    | 701032      | O-Ring, 50 DURO, VITON, .176 ID x .070 CS | 1    |
| 5    | 701050      | O-Ring, 70 DURO, VITON, .364 ID x .070 CS | 1    |
| 6    | 520122      | Hose Barb, Injector, Threaded             | 1    |
| 7    | "Item B"    | Nozzle, Injector                          | 1    |
| 8    | 660110      | Retaining Ring, Injector O-Ring, KYNAR    | 1    |

| Part Number | "Item A" Body P/N | Body Hole Dia. | "Item B" Nozzle P/N | Nozzle Hole Dia. |
|-------------|-------------------|----------------|---------------------|------------------|
| 100996      | 520120            | .076           | 520361              | .041             |
| 101004      | 520120            | .076           | 520363              | .051             |



#### For 101010DG Injector

| Item | Part Number | Description                               | QTY. |
|------|-------------|---|------|
| 1    | "Item A"    | Housing, Injector, 3/8" NPT, SS, .076 DIA | 1    |
| 2    | 720038      | Spring, Conical, .437 FL, Hastelloy       | 1    |
| 3    | 640002      | Ceramic Ball 7/32", Crade C 25            | 1    |
| 4    | 660110      | Retaining Ring, Injector O-Ring, KYNAR    | 1    |
| 5    | 701107      | O-Ring, .364 ID x .070 CS                 | 1    |
| 6    | 701104      | O-Ring, .176 ID x .070 CS                 | 1    |
| 7    | "Item B"    | Barb, Overmolded KYNAR                    | 1    |
| 8    | "Item C"    | Nozzle, Injector, SS                      | 1    |

| Part Number | "Item A" Body P/N | Body Hole Dia. | "Item B" Nozzle P/N | Hose Barb Color | "Item C" Nozzle | Nozzle Hole Dia. |
|-------------|-------------------|----------------|---------------------|-----------------|-----------------|------------------|
| 101010DG    | 520121            | .150           | 660258DG            | Dark Green      | 520373          | .125             |

