

## High Pressure Triplex Plunger Pump



TRIPLEX

### FEATURES

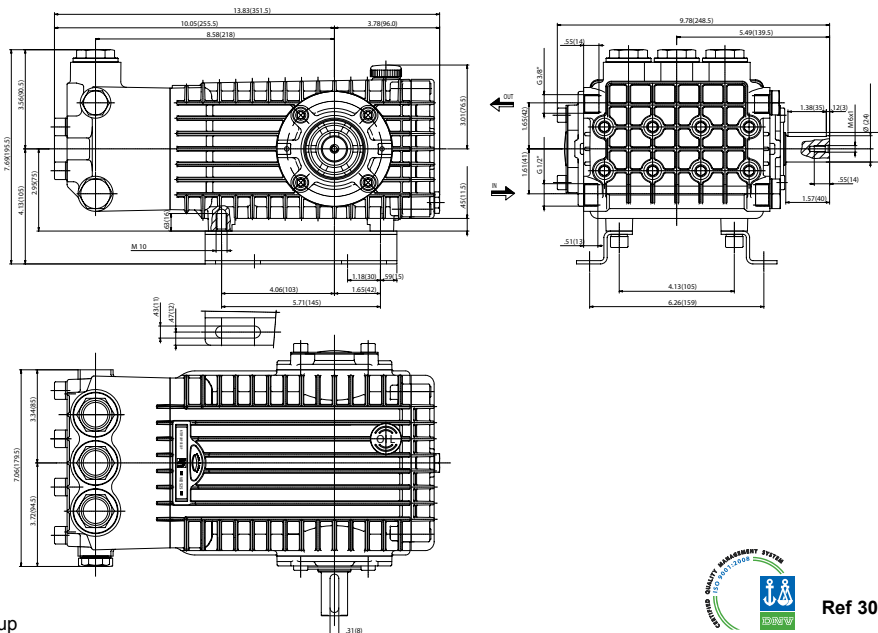
- Compact, High Pressure
- Oversized roller bearings
- Fully anodized crankcase
- Innovative new seal design extends seal life
- New plunger design improves “thermal shock” resistance
- New valve cap design improves hydrostatic performance
- Nickel-plated manifold
- Also available in “L” left-handed versions

### SPECIFICATIONS

Pump Model	TSP1621N
Maximum GPM	4.3 GPM
Maximum PSI	7,250 PSI
Horsepower	21.4 EBHP
Maximum RPM	1450 RPM
Inlet PSI Maximum (Minimum)	125 PSI (2.6 in Hg)
Plunger Bore (mm)	.629 in. (16 mm)
Plunger Stroke (mm)	.826 in. (21 mm)
Oil Capacity	37.2 oz
Maximum Fluid Temperature	165°F
Inlet Port Thread	1/2"-14 BSP-F
Discharge Port Thread	3/8"-19 BSP-F
Shaft Diameter (mm)	.945 in. (24 mm)
Weight	51.8 lbs.
Dimensions	13.84" x 9.8" x 7.7"

TRIPLEX

### DIMENSIONS

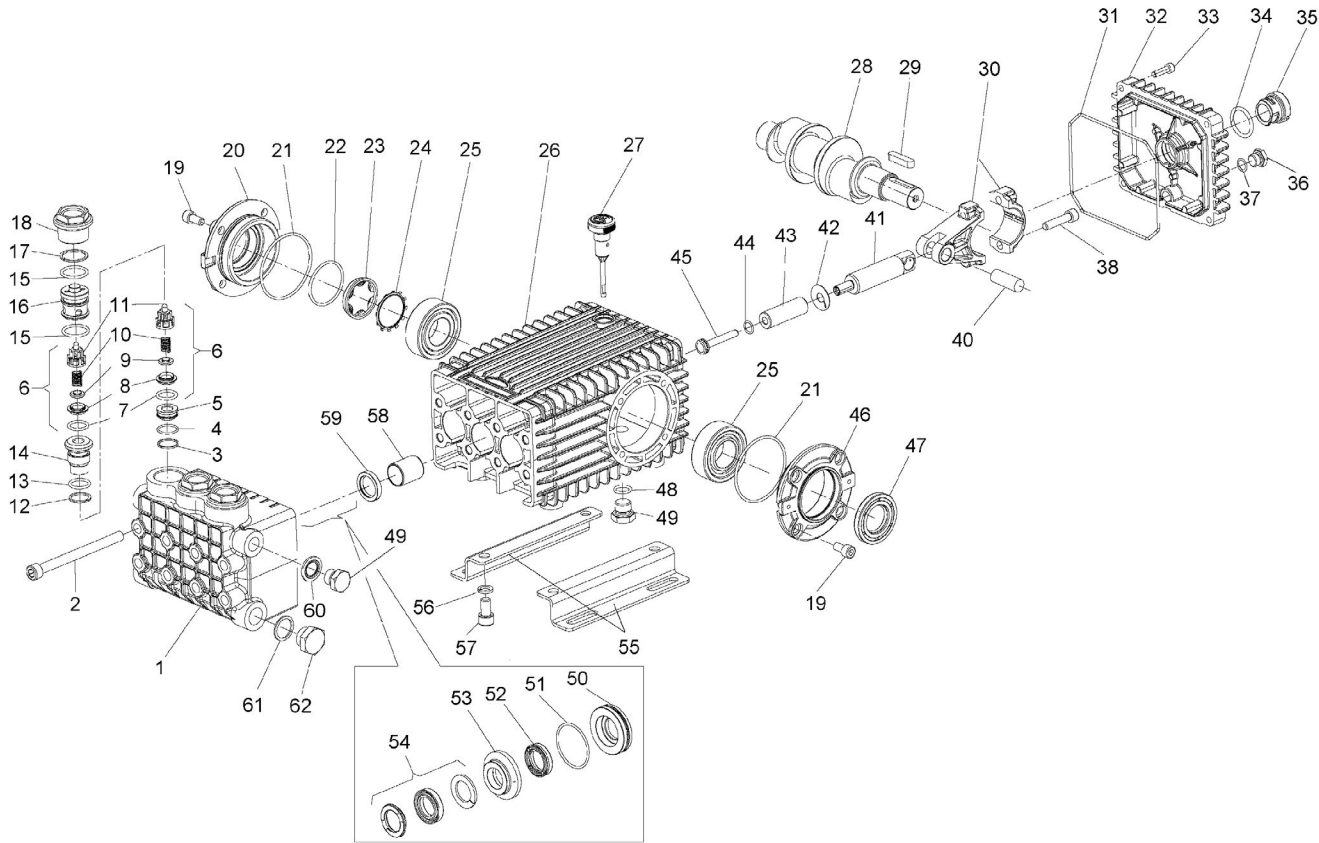


General Pump is a member of the Interpump Group



Ref 300949 Rev. C  
11-17





### REPAIR KITS

ITEM	PART NO.	DESCRIPTION	QTY.	ITEM	PART NO.	DESCRIPTION	QTY.	ITEM	PART NO.	DESCRIPTION	QTY.
1.	66124741	Manifold 16mm	1	22.	90387700	O-ring, 39.34x2.62	1	43.	66040209	Plunger 16 x 54	3
2.	99382000	Screw, M10x120	8	23.	70211801	Oil Sight Glass	1	44.	90358400	O-ring 10.82 x 1.78	3
3.	90511800	Anti-ext ring	3	24.	90675600	Retainer Clip. 45	1	45.	66219566	Plunger Bolt	3
4.	90359600	O-ring 18.77 x 1.78	3	25.	91838000	Cylindrical Bearing	2	46.	47151022	Side Cover, PTO	1
5.	66210270	Spacer M12	3	26.	66010022	Crankcase	1	47.	90164800	Seal, Shaft 30 x 55 x 7	1
6.	36712101	Valve Assy., Complete	6	27.	98210600	Dipstick, vented	1	48.	90383300	O-ring, 13.95x2.62	1
7.	701115	O-ring 17.13 x 2.62	6	28.	66020435	Crankshaft	1	49.	98210000	Plug 3/8 x 13	2
8.	36200366	Valve Seat	6	29.	91489200	Key	1	50.	66080270	Seal Retainer 16mm	3
9.	36203266	Valve Poppet	6	30.	66030001	Connecting Rod	3	51.	90361600	O-ring 34.65 x 1.78	3
10.	94737600	Valve Spring, 9.4x14.8	6	31.	90392200	O-ring 133.02 x 2.62	1	52.	90263100	LP Seal 16mm	3
12.	36202551	Valve Guide	6	32.	66160022	Cover, Crankcase	1	53.	66216270	Intermediate Ring 16mm	3
13.	90384300	O-ring, 17.86x2.62	3	33.	99188400	Screw M6 x 20	4	54.	90263400	HP Seal 16mm	3
14.	66210166	Bushing	3	34.	90405100	O-ring 26.58 x 3.53	1	55.	47200074	Pump Rail	2
15.	90385700	O-ring 23.81 x 2.62	6	35.	63210051	Sightglass, Bayonet style	1	56.	96710600	Washer M10	4
16.	66210070	Plug 29mm	3	36.	98204100	Plug, G1/4" x 9	1	57.	99364400	Screw M10 x 18	4
17.	90516500	Anti-ext ring, 24.7x29x1.5	3	37.	701013	O-ring 10.82 x 1.78	1	58.	90912600	Guide Bushing	3
18.	66131041	Valve Cap, 32x1.5x18.5, Nickel	3	38.	99309900	Screw M8 x 35	6	59.	90162500	Seal, Pl. Rod 22 x 32 x 5.5	3
19.	99303900	Screw M8 x 16	8	40.	97740500	Wrist Pin, 14x35	3	60.	93185800	Gasket, Aluminum 3/8"	1
20.	47151222	Oil Side Cover	1	41.	66050066	Piston Guide	3	61.	96751400	Washer, 21.5x27x1.5	1
21.	701147	O-ring, 67.95x2.62	2	42.	96710100	Flinger Washer	3	62.	98217600	Plug, G1/2" x 10	1

### REPAIR KITS

Kit	K02	K03	K150	K174	K175
<b>Bore</b>	All	All	All	16mm	
<b>Items</b>	59	47	6, 7, 8, 9,10 (11)	52, 54	50, 51, 52, 53, 54
<b>Qty</b>	1	1	1	1	3

### TORQUE SPECS\*

Item	N-M	Ft-lbs
2	45	33.2
18	180	132.7
19	20	14.8
33	10	7.4
36	20	14.8
38	20	14.8
45**	20	14.8
49	40	29.5
57	40	29.5
62	70	51.6

\*Decrease torque by 20% if threads are lubricated.

\*\* Use Loc-tite 542