

GENERAL PUMP A member of the Interpump Group

T Series 47 S

5,000 PSI; 16 mm bore / 12 mm stroke

FEATURES

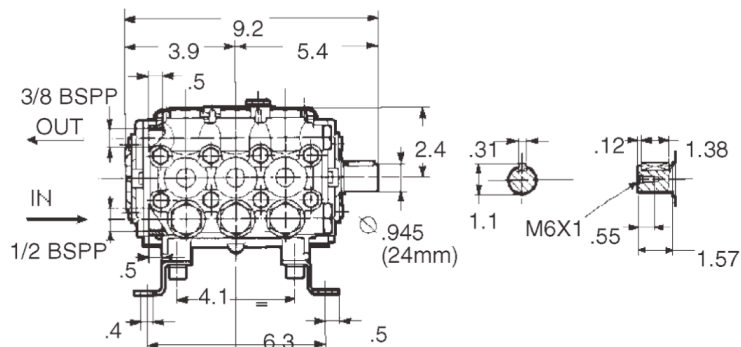
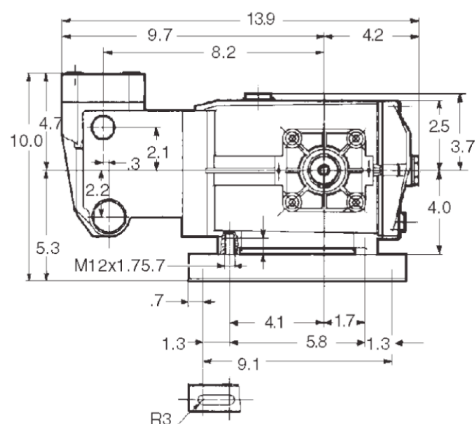
- Forged brass manifold that's twice as strong as cast
- Stainless steel piston guides
- Unique "in-line" valve system for easy access and durability
- Small bore combined with long stroke for maximum efficiency
- Thermally bonded ceramic coating rated to 10,000 PSI
- Proven crankcase and bearing design
- Available in left-handed "L" version



SPECIFICATIONS

Pump Model	T5050
Maximum Volume	5.0 GPM
Maximum Discharge Pressure	5000 PSI
Maximum Pump Speed	1845 RPM
Maximum Inlet Pressure	30 - 125 PSI
Maximum Inlet Vacuum	9 ft. water (7.9 in. Hg)
Bore	.630 in. / 16 mm
Stroke	.748 in. / 19 mm
Crankcase Oil Capacity	40.6 oz.
Maximum Fluid Temperature	165° F
Inlet Port Thread	(2) 1/2-14 BSP-F
Discharge Port Thread	(2) 3/8-19 BSP-F
Shaft Diameter	.945 in. / 24 mm
Weight	41 lbs.
Dimensions	14.2" x 9.2" x 6.9"

DIMENSIONS (Inches)



Ref 310011 Rev. H
02-13

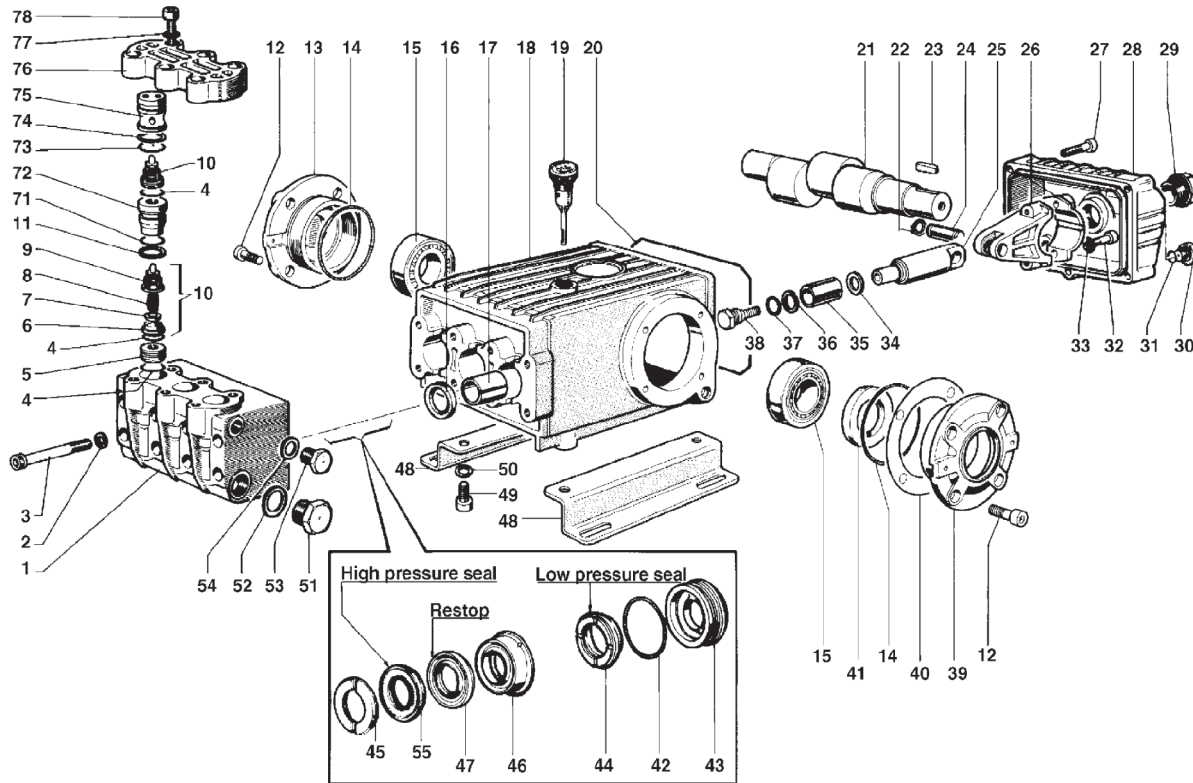


General Pump
is a member of
the Interpump Group



T Series 47 S - T5050

GENERAL PUMP *A member of the Interpump Group*



PART LIST

ITEM	PART NO.	DESCRIPTION	QTY.	ITEM	PART NO.	DESCRIPTION	QTY.	ITEM	PART NO.	DESCRIPTION	QTY.
1.	47121641	Manifold	1	22.	90055700	Circlip	6	43.	47081170	Packing Retainer	3
2.	203476	Washer	8	23.	91489000	Key	1	44.	90264400	Seal, LP, 16 mm	3
3.	99326000	Bolt	8	24.	97738000	Plunger Pin	3	45.	47100351	Head Ring	3
4.	701115	O-ring	9	25.	47050654	Plunger Guide	3	46.	47217270	Intermediate Ring	3
5.	47210470	Spacer	3	26.	47030001	Connecting Rod	3	47.	90264300	Restop Ring	3
6.	36200366	Seat, Valve	6	27.	99191200	Screw	5	48.	47200074	Foot	2
7.	36203266	Plate, Valve	6	28.	47160122	Crankcase Cover	1	49.	99364400	Screw	4
8.	94737600	Spring, Valve	6	29.	97596800	Oil Indicator	1	50.	96710600	Washer	4
9.	36202551	Cage, Valve	6	30.	98204100	Cap	1	51.	98217600	Cap	1
10.	36712101	Valve	6	31.	90358500	O-ring	1	52.	96751400	Washer	1
11.	90511500	Back-up Ring	3	32.	99309900	Screw	6	53.	98210000	Cap	1
12.	99303900	Screw	8	33.	96701400	Washer	6	54.	96738000	Washer	1
13.	47150122	Cover, Crankcase	1	34.	47210270	Ring	3	55.	90264200	Packing	3
14.	90391300	O-ring, 2.675x.103	2	35.	47040856 (16 mm)		3	71.	90384300	O-ring	3
15.	91837700	Bearing	2	36.	90503300	Anti-extrusion Ring	3	72.	47210366	Guide, Valve	3
16.	90162500	Seal, Oil	3	37.	90357700	O-ring	3	73.	90404100	O-ring	3
17.	90912600	Bushing	3	38.	47219666	Plunger Screw	3	74.	90514600	Anti-extrusion Ring	3
18.	47010622	Crankcase	1	39.	47150022	Crankcase Cover	1	75.	47210170	Cap	3
19.	98210600	Cap	1	40.	97567800	Shim	2	76.	47210041	Cover, Valve	1
20.	90392200	O-ring, Cover	1	41.	90164800	Ring	1	77.	96719500	Washer	6
21.	47022335	Crankshaft, 19 mm	1	42.	90361600	O-ring	3	78.	99428200	Bolt	6

REPAIR KITS

KIT NO.	K02	K03	K108	K109	K110	K150	K151
ITEM NO's INCLUDED IN KIT	16	41	45	44, 47, 55	46	10, 11, 71, 73, 74	42, 43, 44, 45, 46, 47, 55
NUMBER OF ASSEMBLIES IN KIT	3	2	6	3	3	3	6
NUMBER OF CYLINDERS KIT WILL SERVICE	3	2	6	3	3	3	1

TORQUE SPECS*

Pos.	Ft/lb	N-M
3	22.1	30
12	14.7	20
27	7.3	10
29	13.2	18
30	14.7	20
32	14.7	20
38	14.7	20
49	29.4	40
51	29.4	40
53	29.4	40
78	72.3	98

* Decrease torque by 20% if threads are lubricated

