

# YRL2640W

## Spray Gun

### Rear Entry Spray Gun w/ Weep Seat



#### SPECIFICATIONS

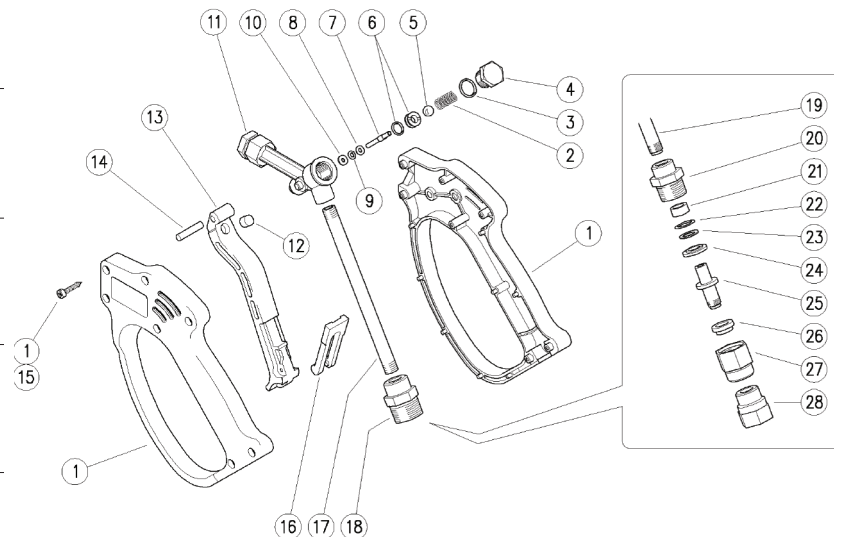
Part Number:	YRL2640W	
Maximum Volume	8.0 GPM	
Rated Pressure	3650 PSI	
Maximum Pressure	4000 PSI	
Maximum Temperature	320°	
Port Sizes:	Inlet	3/8" NPT-F
	Outlet	1/4" NPT-F
Dimensions:	7.62" x 6.96" x 2"	
Weight:	1.0 lbs.	
Material	Stainless Steel, Brass, Plastic, Buna-N, Teflon	

#### FEATURES

- Shockproof plastic housings
- Sturdy construction of Stainless Steel and brass
- Ergonomic construction
- Stainless Steel seat and ball
- Minimum fatigue when operating

#### PARTS LIST

No.	Part No.	Description	Kit	Qty.
1.	Y30175924	Casing Kit		1
2.	Y30070351	Spring, 1.3x8.5x19 mm		1
3.	Y10306001	O-ring, 1.78x12.42 mm	*	1
4.	Y30070231	Plug, M14x1		1
5.	Y14744800	Ball, 5/16	*	1
6.	Y30171620	Weep Seat Assembly	*	1
7.	Y30070451	Piston, 3-4 mm	*	1
8.	Y14351100	Washer, 3.2x7x0.5	*	1
9.	Y10316500	O-ring, 2.62x2.84 mm	*	1
10.	Y10401800	Back-up ring, 3.2x7.5x1.2 mm	*	1
11.	Y30170135	Central Housing		1
12.	Y30067584	Stop Pin, 8x7		1
13.	Y30170484	Trigger		1
14.	Y30050931	Parallel Pin, 5x24.5 mm, SST		1
15.	Y16307551	Self Tapping Screw, 3.5x18 mm		7
16.	Y30151584	Safety Latch, Blue		1
17.	Y30070656	Tube, 1/8 BSP		1
18.	Y30151731	Coupling, 1/8F-M22x1.5M		1
19.	Y30073456	Tube		1
20.	Y30072731	Coupling		1
21.	Y30072884	Bushing	*	1
22.	Y10310993	O-ring, 2.4x8.3 mm	*	1
23.	Y10400850	Back-up Ring, 9x13.2x1.2		1
24.	Y30072931	Spacer Ring, 9x19x3 mm		1
25.	Y30155331	Pin, M10x1.25		1
26.	Y30073084	Bushing, 10x17x6 mm	*	1
27.	Y30073331	Nipple, M20x1 F		1
28.	Y30155431	Coupling, M10x1.25 F		1



\* YKITG3200W Kit, repair (includes parts listed above)



General Pump  
is a member of  
the Interpump Group



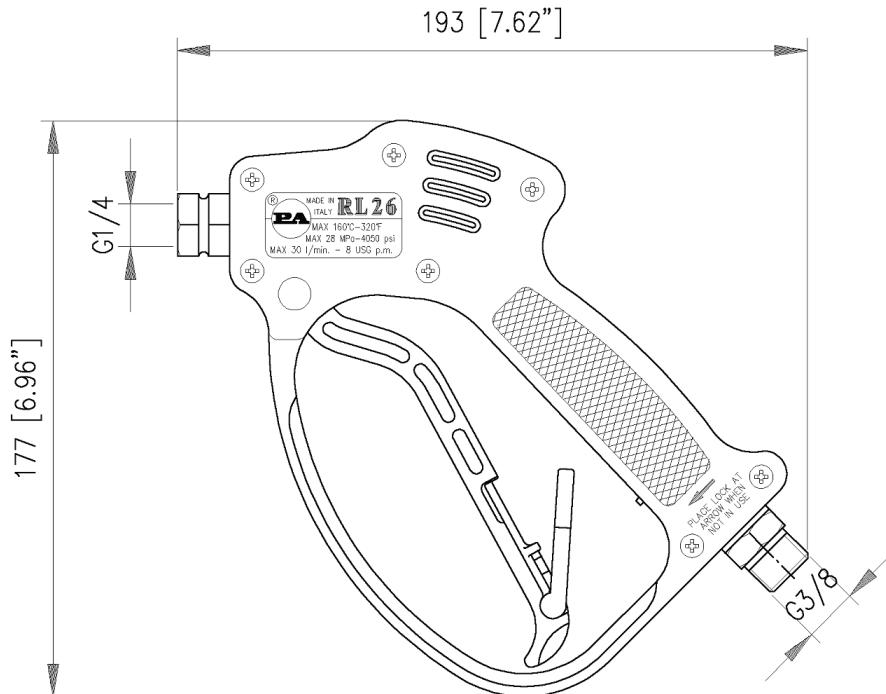
# YRL2640W

**GENERAL PUMP**

A member of the Interpump Group

## Rear Entry Spray Gun w/ Weep Seat

### DIMENSIONS



### INSTRUCTIONS

This product is to be used with clean, fresh water. For use involving different or corrosive liquids, contact GP's customer service department. Appropriate filtration should be installed when using unclean liquids. Choose the gun that most closely matches the rated pressure, max flow and max temperature of the pressure wash system. In any case, the pressure of the machine should not exceed the permissible pressure rate imprinted on the gun.

### INSTALLATION

This gun was designed to operate with hot water (in compliance with the technical specs), making sure not to exceed the max temperature. Always fit a safety valve to protect the system when the latter is under pressure. Choose a suitable nozzle and adjust the valve mounted in the front of the gun, thus obtaining a constant supply and avoiding unwanted pressure spikes. If the nozzle wears out, the pressure falls. When you install a new nozzle, adjust the system back to the original pressure.

Ref 300727 Rev.A  
12-09

**GENERAL PUMP** 1174 Northland Drive Mendota Heights, MN 55120  
Phone: 651.686.2199 FAX: 800.535.1745 e-mail: sales@gpcompanies.com www.generalpump.com

