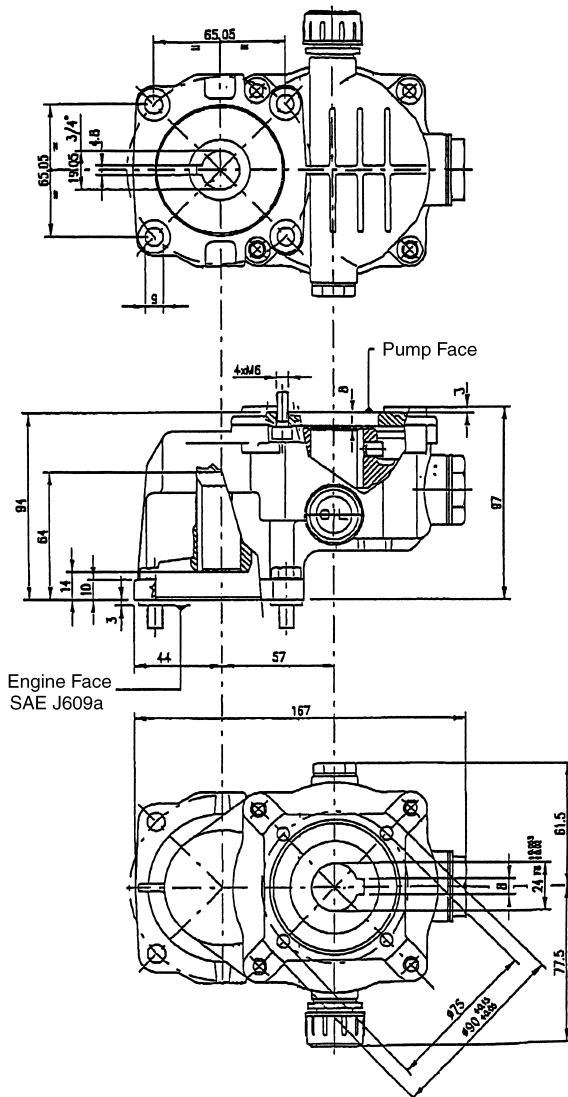


SPECIFICATIONS

Part Number	YGR0750
Maximum Speed	3400
Engine Shaft Diameter	0.75"
Maximum Horsepower	6.5
Gear Ratio	2.3:1
Weight	4.4 lbs.
Flange – SAE	J609a
Pump Shaft	24 mm
Oil Capacity	4.5 oz.
Oil	SAE 90

DIMENSIONS



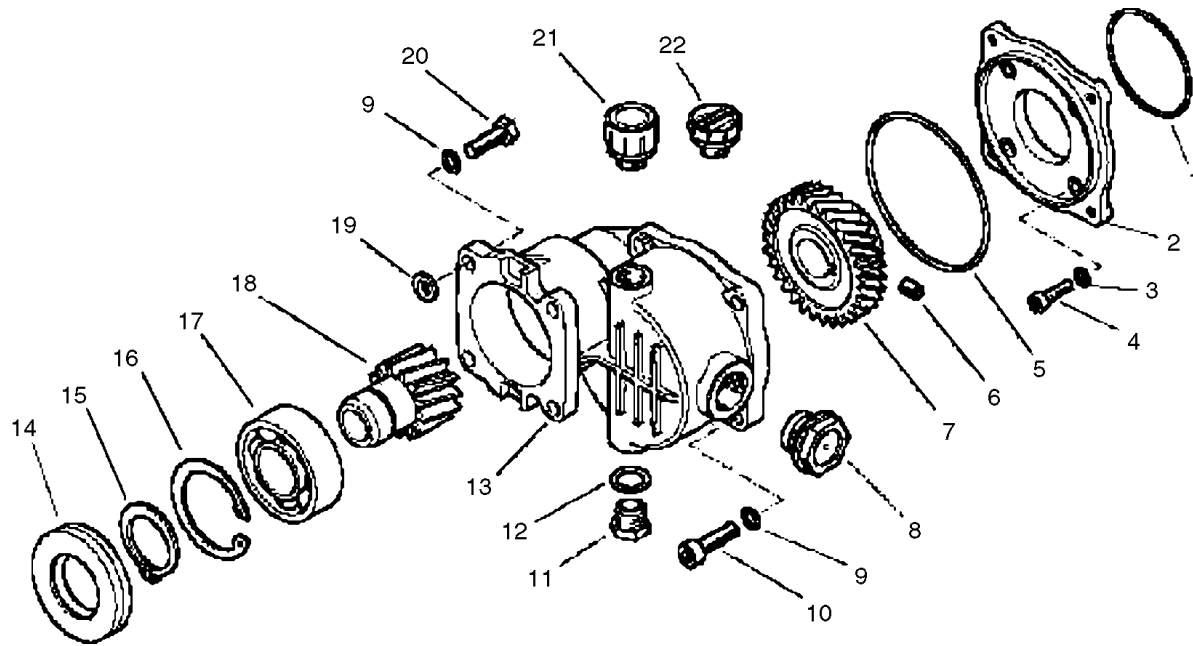
FEATURES

- Compact design with easy-mount, universal flange for quick and direct coupling to a wide range of engines.
- Oil bath lubrication combined with premium quality, hardened steel helical gears for quiet operation and extended life.
- Oversized bearing system is self-aligning. Reduces load on motor bearings and pump bearings.
- Reversible mounting for right or left hand drive gas engines. Includes reversible dipstick and oil level sight glass.

YGR0750

Gear Reducer

GENERAL PUMP A member of the Interpump Group



PARTS LIST

No.	Part No.	Description	Qty	No.	Part No.	Description	Qty
1.	Y10308163	O-Ring, 1.78 x 63.22mm	1	12.	Y14404200	Washer, 16 x 22 mm	1
2.	Y50060244	Flange	1	13.	Y50060144	Crankcase	1
3.	Y14409600	Washer, M6 mm	4	14.	Y10203662	Spacer, 30 mm	1
4.	Y16189518	Screw, M6 x 18 mm	4	15.	Y10101500	Snap Ring, E, 30 mm	1
5.	Y10321088	O-Ring, 2.62 x 88.57 mm	1	16.	Y10106200	Snap Ring, I, 62 mm	1
6.	Y16222300	Screw, M8 x 10 mm	1	17.	Y11443062	Bearing, 30 x 62 x 16 mm	1
7.	Y50060365	Crown Gear, Z30	1	18.	Y50060461	Pinion, Z, 13	1
8.	Y15373400	Oil Level Indicator	1	19.	Y50060541	Washer, 8 mm	4
9.	Y14365200	Washer, Safety 8.4 mm	8	20.	Y16200900	Screw, 5/16" x 1"	4
10.	Y16195826	Screw, M8 x 25 mm	4	21.	Y15372600	Oil Plug and Gasket	1
11.	Y60002831	Oil Drain Plug, G3/8	1	22.	Y15372500	Shipping Cap	1