



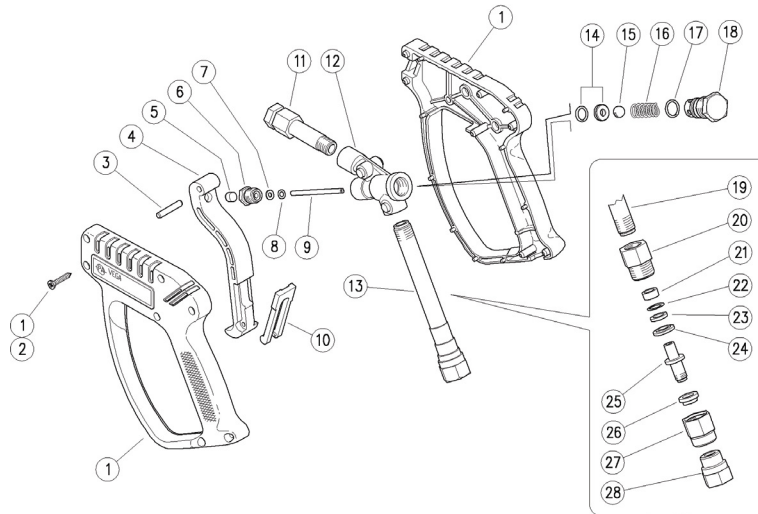
SPECIFICATIONS

Part Number	YG4000WN
Maximum Volume	10.5 GPM
Maximum Discharge Pressure	5000 PSI
Maximum Fluid Temperature	320°F
Inlet Port Thread	3/8" NPT-F
Discharge Port Thread	1/4" NPT-F
Weight	1.7 lbs
Dimensions	8.7" x 5.9" x 1.2"
Materials	Stainless Steel, Brass, Plastic, Buna-N, Teflon

FEATURES

- Sturdy and comfortable design
- Insulated handle remains cool at maximum fluid temperature
- Weep feature for weep systems
- Not for use with trapped pressure unloaders

PARTS LIST



15	Y14744310	Ball, 11/32"	1
16	Y30200351	Spring, 1.6 x 7 x 22 mm	1
17	Y10306001	O-Ring, 1.78 x 12.42 mm	1
18	Y30200431	Spring Holder, M18 x 1	1
19	Y30253236	Tube, M15 94 mm	1
20	Y30253131	Coupler, M20 x 1m	1
21	Y30072884	Bushing, 9 x 13 x 6 mm	1
22	Y10310993	O-Ring, 2.4 x 8.3 mm	1
23	Y10400850	Back-up Ring, 9 x 13.2 x 1.2 mm	1
24	Y30072931	Spacer, 9 x 19 x 3 mm	1
25	Y30155331	Pin, M10 x 1.25 M	1
26	Y30073084	Bushing, 10 x 17 x 6 mm	1
27	Y3007331	Nipple, M20 x 1	1
28	Y30306131	Coupler, M10 x 1, 25F-3/8F BSP	1
*	YKITG4000WN	Repair Kit	

No.	Part No.	Description	Qty.
1	Y30202624	Housint Kit	1
2	Y16307551	Screw, 3.5 x 18 mm	7
3	Y30251731	Pin, 5 x 27.5 mm	1
4	Y30250684	Trigger	1
5	Y30067584	Stop Pin, 8 x 7.1 mm	1
6	Y30411531	Front Plug, M10 x 1	1
7	Y10401800	Back-up Ring 3.2 x 7.5 x 1.2 mm	1
8	Y10316500	O-Ring, 2.62 x 2.84 mm	1
9	Y30200751	Piston, 3 mm	1
10	Y30151584	Safety Latch	1
11	Y30200835	Front Tube 1/4" F	1
12	Y30200535	Housing	1
13	Y30253435	Back Tube 3/8" F	1
14	Y30110420	Seat Set, 6 mm	1



General Pump
is a member of
the Interpump Group



DIMENSIONS

