

### FEATURES

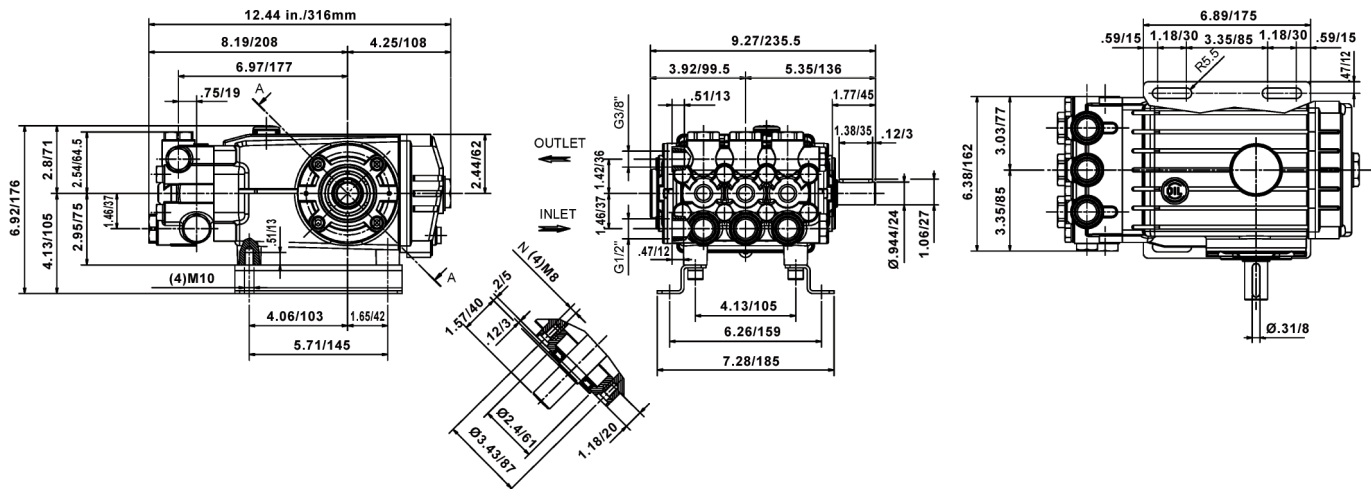
- The preferred pump frame in the pressure cleaning industry
- Forged brass manifold with an exclusive lifetime warranty
- Large-capacity, die-cast, anodized aluminum oil-bath crankcase
- Over-sized connecting rods for maximum life
- Heavy-duty tapered roller bearing
- Solid ceramic plungers with continuously lubricated packings
- Unitized stainless steel inlet and discharge valves
- Designed for suction applications
- Manifold with coarse thread valve caps



### SPECIFICATIONS

Pump Model	TS2013
Maximum Volume	5.5 GPM
Maximum Discharge Pressure	3000 PSI
Maximum Pump Speed	1750 RPM
Maximum Inlet Pressure	125 PSI
Maximum Inlet Vacuum	9 ft. water (7.9 in. Hg)
Plunger Bore	.787 in. / 20 mm
Plunger Stroke	.512 in. / 13 mm
Crankcase Oil Capacity	37.2 oz.
Horsepower	11.3 EBHP
Maximum Fluid Temperature	165° F
Inlet Port Thread	1/2-14 BSP-F
Discharge Port Thread	3/8-19 BSP-F
Shaft Diameter	.945 in. / 24 mm
Weight	32 lbs.
Dimensions	12.6" x 9.2" x 6.9"

### DIMENSIONAL DRAWING



TRIPLEX

TRIPLEX

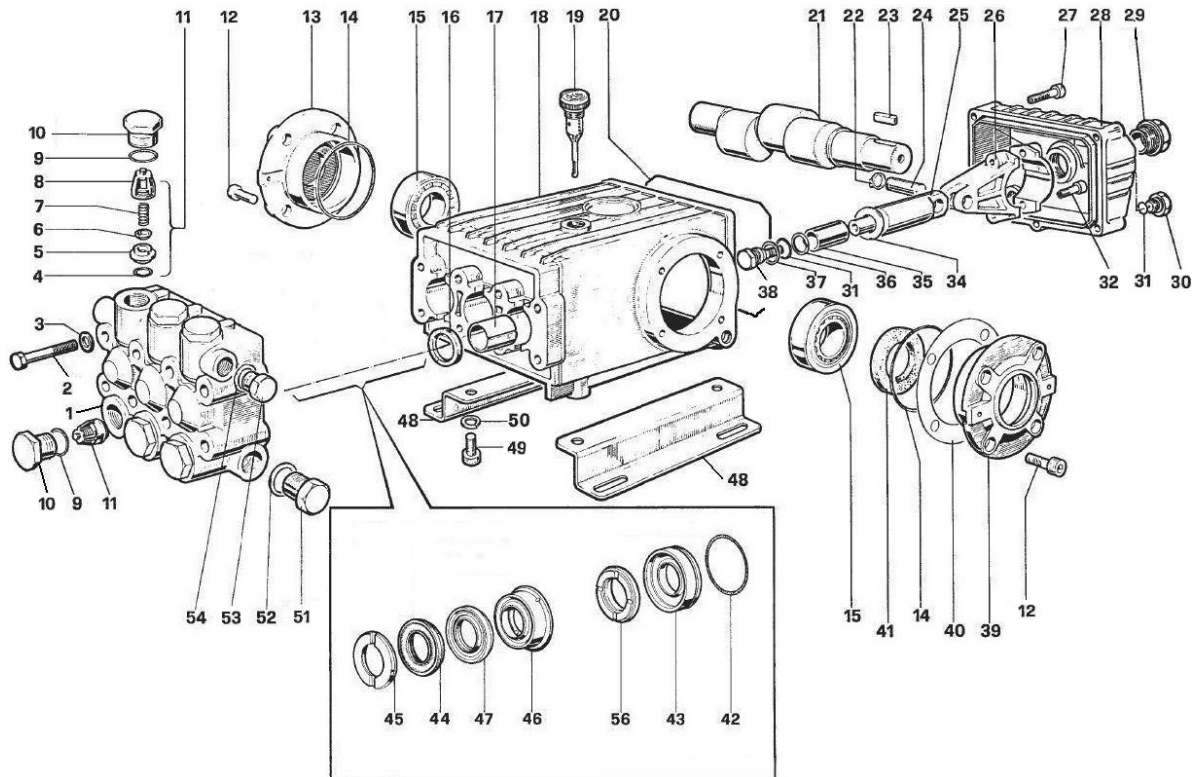


General Pump  
is a member of  
the Interpump Group



Ref 300905 Rev. D  
11-17





## PARTS LIST

ITEM	PART NO.	DESCRIPTION	KIT NO.	QTY.	ITEM	PART NO.	DESCRIPTION	KIT NO.	QTY.	ITEM	PART NO.	DESCRIPTION	KIT NO.	QTY.
1.	47120241	Manifold		1	19.	98210600	Oil Dip Stick		1	38.	47219566	Screw, Plunger	6	3
2.	99320600	Screw, M8 x 70		8	20.	90392200	O-ring, Cover		1	39.	47151022	Cover, Crankcase		1
3.	203476	Washer, M8.4		8	21.	47023035	Crankshaft		1	40.	97567800	Shim		2
4.	701115	O-ring, .674 x .10	1	6	22.	90055700	Ring, Snap		6	41.	90164800	Seal, Oil	3	1
5.	36200366	Seat, Valve	1	6	23.	640048	Key		1	42.	90361600	O-ring, 1.364x.070	10,28	3
6.	36200176	Plate, Valve	1	6	24.	97738000	Pin, Wrist		3	43.	47080570	Retainer, Packing	10,28	3
7.	94737600	Spring	1	6	25.	47050554	Guide, Plunger		3	44.	90270500	Packing	28,69	3
8.	36200251	Guide, Valve	1	6	26.	47030001	Connecting Rod		3	45.	47100051	Ring, Head, M20	7,28	3
9.	701002	O-ring, .797x.103	5	6	27.	99191200	Screw, M6x30		5	46.	47216970	Intermed. Ring	28, 71	3
10.	98222200	Cap	5	6	28.	47160122	Cover, Crankcase		1	47.	90270400	Restop Ring	28,69,71	3
11.	100381	Valve Assembly	1	6	29.	97596800	Oil Indicator		1	48.	47200074	Pump Feet		2
12.	99303900	Screw, M8 x 16		8	30.	98204100	Cap		1	49.	99364400	Screw, M10 x 18		4
13.	47151122	Cover, Crankcase Side	1	6	31.	701013	O-ring, .426x.070	6	4	50.	96710600	Washer, M10.2		4
14.	701147	O-ring, 2.675x.103	2	2	32.	99309900	Screw, M8 x 35		6	51.	98217600	Cap		1
15.	640047	Bearing, Roller	2	2	34.	96728600	Washer, M14	6	3	52.	96751400	Washer, M21.5		1
16.	90162500	Seal, Oil	2	3	35.	47040409	Plunger, 20 mm		3	53.	98210000	Cap		1
17.	90912600	Bushing	3	3	36.	660067	Ring, Back-up	6	3	54.	96738000	Washer, M17.5		1
18.	47010022	Crankcase	1	1	37.	96728000	Washer	6	3	56.	90271000	Seal, Low Press, 20 mm	28, 69	3

## REPAIR KITS

KIT NO.	K01	K02	K03	K05	K06	K07	K10	K28	K69	K71
ITEM NO's INCLUDED IN KIT	4,5,6 7,8 (11)	16	41	9, 10	31,34,36 37,38	45	42, 43	42, 43 44, 45 46,47,56	44, 47 56	46, 47
NUMBER OF ASSEMBLIES IN KIT	6	3	2	6	3	6	3	1	3	3
NUMBER OF CYLINDERS KIT WILL SERVICE	3	3	-	3	3	3	3	1	3	3

## TORQUE SPECS\*

Pos.	Ft/lb	N-M
2	22.1	30
10	95.9	130
12	14.7	20
27	7.3	10
29	8.9	12
30	14.7	20
32	14.7	20
38	14.7	20
49	29.4	40
51	29.4	40
53	29.4	40

\* Decrease torque by 20% if threads are lubricated