

FEATURES

- The preferred pump frame in the pressure cleaning industry
- Forged brass manifold with an exclusive lifetime warranty
- Large capacity, die-cast, anodized aluminum oil-bath crankcase
- Over-sized connecting rods for maximum life
- Heavy-duty tapered roller bearing
- Solid ceramic plungers with continuously lubricated packings
- Unitized stainless steel inlet and discharge valves
- Available in left-handed "L" version

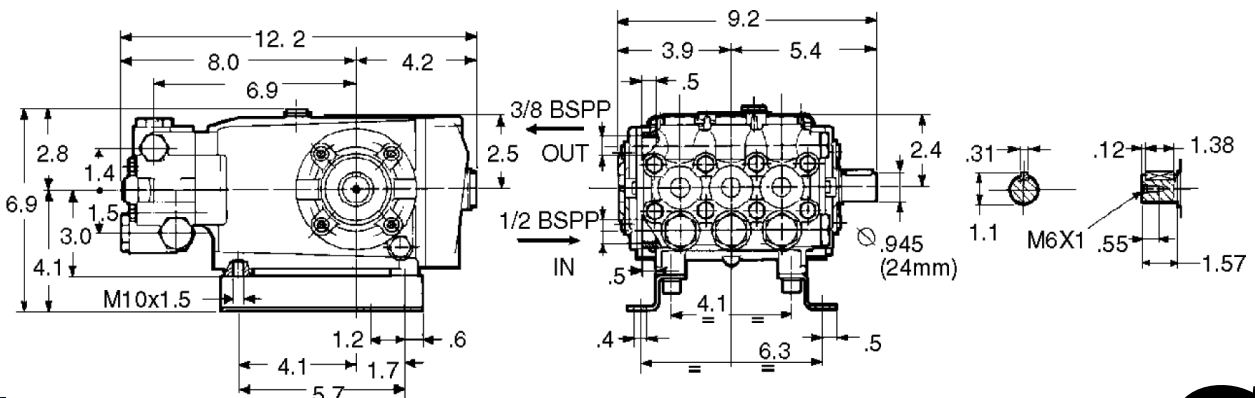


SPECIFICATIONS

Pump Model	TS1011		TS1511	TS2011	
Maximum Volume	4.0 GPM	4.5 GPM	4.0 GPM	4.0 GPM	4.75 GPM
Maximum Discharge Pressure	2000 PSI	1500 PSI	3500 PSI	3500 PSI	2300 PSI
Maximum Pump Speed	1450 RPM	1750 RPM	1450 RPM	1450 RPM	1750 RPM
Maximum Inlet Pressure	125 PSI				
Maximum Inlet Vacuum	9 ft. water (7.9 in. Hg)				
Bore	.787 in. / 20 mm				
Stroke	.472 in. / 12 mm				
Crankcase Oil Capacity	33.8 oz.		37.2 oz.		
Maximum Fluid Temperature	165° F				
Inlet Port Thread	1/2-14 BSP-F				
Discharge Port Thread	3/8-19 BSP-F				
Shaft Diameter	.945 in. / 24 mm				
Weight	32 lbs.				
Dimensions	12.2" x 9.2" x 6.9"		12.6" x 9.2" x 6.9"		

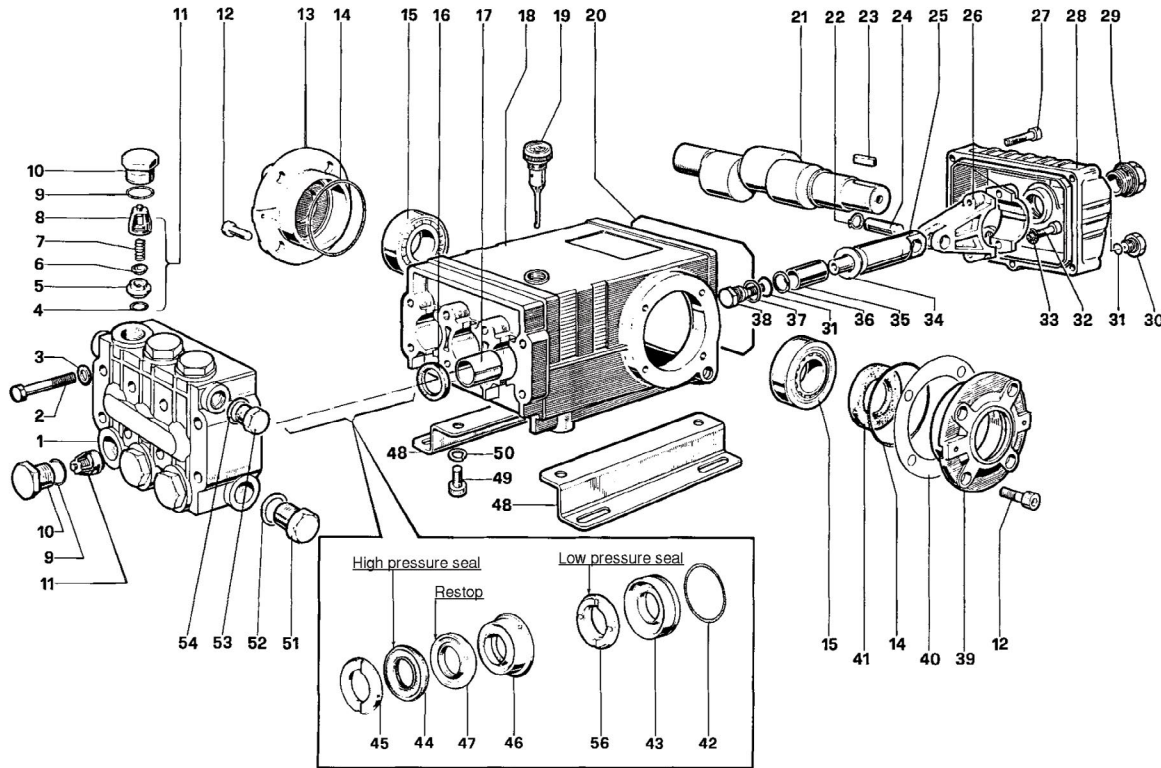
N=Nickel-plated manifold

DIMENSIONS (Inches)



TRIPLEX

TRIPLEX



PART LIST

ITEM	PART NO.	DESCRIPTION	QTY.	ITEM	PART NO.	DESCRIPTION	QTY.	ITEM	PART NO.	DESCRIPTION	QTY.
1.	47120841	Manifold, Brass	1	19.	98210600	Oil Dip Stick	1	37.	96728000	Washer	3
	47120941	Manifold, Nickle-plated (TS2011-N)	1	20.	90392200	O-ring, Cover	1	38.	47219566	Screw, Plunger	3
2.	99320600	Screw, M8 x 70	8	21.	47021835	Crankshaft	1	39.	47150022	Cover, Crankcase	1
3.	203476	Washer, M8.4	8	22.	90055700	Ring, Snap	6	40.	97567800	Shim	2
4.	701115	O-ring, .674x.103	6	23.	640048	Key	1	41.	90164800	Seal, Oil	1
5.	36200366	Seat, Valve	6	24.	97738000	Pin, Wrist	3	42.	90361600	O-ring, 1.364x.070	3
6.	36711501	Plate, Valve	6	25.	47050554	Guide, Plunger	3	43.	47080570	Retainer, Packing	3
7.	94737600	Spring	6	26.	47030001	Rod, Connecting	3	44.	90270500	Packing	3
8.	36200251	Guide, Valve	6	27.	99191200	Screw, M6x30	5	45.	47100051	Ring, Head, M20	3
9.	701002	O-ring, .797x.103	6		99183700	Screw, M6x14 (TS1011)	5	46.	47216970	Intermed. Ring	3
10.	98222000	Cap	6	28.	47160122	Cover, Crankcase	1	47.	90270400	Restop Ring	3
	98222200	Cap, Ni-Pltd. (TS2011-N)	6		47160022	Cover, Crankcase (TS1011)	1	48.	47200074	Pump Feet	2
11.	100381	Valve Assembly	6	29.	97596800	Oil Indicator	1	49.	99364400	Screw, M10x18	4
12.	99303900	Screw, M8x16	8	30.	98204100	Cap	1	50.	96710600	Washer, M10.2	4
13.	47150122	Cover, Crankcase	1	31.	701013	O-ring, .426x.070	4	51.	98217600	Cap	1
14.	701147	O-ring, 2.675x.103	2	32.	99309900	Screw, M8x35	6	52.	96751400	Washer, M21.5	1
15.	640047	Bearing, Roller	2	33.	96701400	Washer, M8.4	6	53.	98210000	Cap	1
16.	90162500	Seal, Oil	3	34.	96728600	Washer, M14	3	54.	96738000	Washer, M17.5	1
17.	90912600	Bushing	3	35.	47040409	Plunger (20mm)	3	56.	90271000	Seal, L.P. 20mm.	3
18.	47010522	Crankcase	1	36.	660067	Ring, Back-up	3				

REPAIR KITS

KIT NO.	1	2	3	4	5	6	7	10	28	69	71
ITEM NO's INCLUDED IN KIT	4, 5, 6, 7, 8, (11)	16	41	9, 10	9, 10	31, 34, 36, 37, 38	45	42, 43	43, 43, 44, 45, 46, 47, 56	44, 47, 56	46, 47
NUMBER OF ASSEMBLIES IN KIT	6	3	2	6	6	3	6	3	1	3	3
NUMBER OF CYLINDERS KIT WILL SERVICE	3	3	-	3	3	3	3	3	1	3	3

TORQUE SPECS*

Pos.	Ft/lb	N-M
2	22.1	30
10	95.9	130
12	14.7	20
27	7.3	10
29	8.8	12
30	14.7	20
32	14.7	20
38	14.7	20
49	29.4	40
51	29.4	40
53	29.4	40

* Decrease torque by 20% if threads are lubricated

