

Pump Thermal Protectors

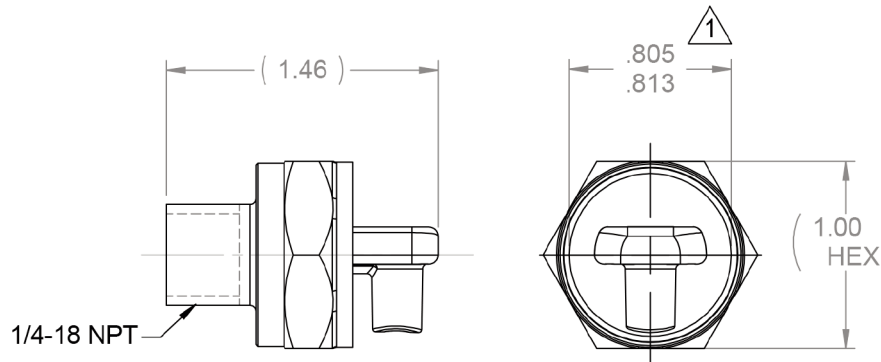
Protects the pump from damaging heat build-up while it is in bypass mode. The thermal relief valve, sensing a rise in temperature, opens and discharges a small amount of heated fluid. This allows cooler water to enter the system and cool the pump. When the gun is discharged the cooler water will cause the valve to close immediately.

FEATURES/BENEFITS

- Most consistent temperature range on the market
- Quickest response to rising temperature
- Less stress on pump
- Most cost effective thermal protector in the market
- Mounts easily in the pump manifold, inlet water supply or bypass loop plumbing

SPECIFICATIONS

Part Number	Temp	Description
100677 no hose barb	190° F	3/8" NPT
100678 no hose barb	190° F	1/2" NPT
100679 brass hose barb	190° F	3/8" NPT
100680 brass hose barb	190° F	1/2" NPT
Hose Barb		90° , 1/4"
Weight		1.5 oz.
Dimensions		1-1.2" H x 1" W
Materials	Brass, Buna, Delrin, Stainless Steel	

DIMENSIONS

General Pump
is a member of
the Interpump Group

Ref 310064 Rev A
05-17



GENERAL PUMP • 1174 Northland Drive • Mendota Heights, MN 55120
Phone: 651.686.2199 • Fax: 800.535.1745 • email: sales@gpcompanies.com • www.generalpump.com