

SPECIFICATIONS

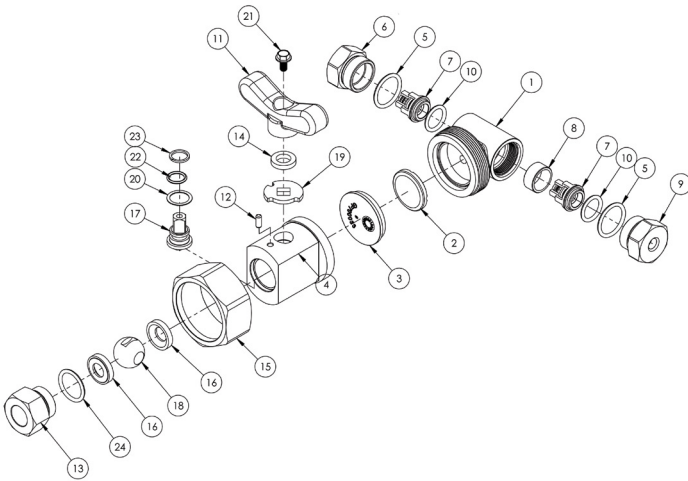
| | |
|------------------------------------|--|
| Part Number | 100152 |
| Maximum Pressure For Pulse Pump | 1500 PSI |
| Max. Pressure w/ Ball Valve Closed | 3000 PSI |
| Ports Sizes: | Inlet 1/8"-27 NPT-F Outlet 1/8"-27 NPT-F Pulse Port 3/8" NPT-F |
| Dimensions | 3" x 3.55" x 4.42" |
| Weight | 3.0 lbs. |
| Materials | 303 Stainless Steel |

*Flow will vary according to flow and pressure of the drive pump. For optimum performance inlet pressure to the drive pump should be zero or negative but not to exceed drive pump specifications.

FEATURES

- 303 Stainless Steel body
- EPDM diaphragm offers resilience and chemical compatibility
- Mounts to one of the drive pump inlet valve ports by using a special valve adapter
- Draws cleaning solution with each stroke of the drive pump
- Permits cleaning solution application at system pressure up to 1500 PSI
- Integrated ball valve allows shut-off when using water pressure up to 3000 PSI
- New union style allows replacement of diaphragm without removing plumbing

PARTS LIST



| No. | Part Number | Description | Qty. |
|------|-------------|----------------------------------|------|
| 1. | 520381 | Body, Pulse Pump, Cast | 1 |
| 2. | 660180 | Plastic Disk | 1 |
| 3. | 700033 | Rubber Diaphragm | 1 |
| 4. | 520270 | Pulse Pump, Top, W/ Ball Valve | 1 |
| 5. | 701004 | O-ring .862 x .103 | 2 |
| 6. | 520195 | Valve Cap Discharge | 1 |
| 7. | 103162 | Assy., Pulse Pump Valve | 2 |
| 8. | 520194 | Spacer Ring | 1 |
| 9. | 520196 | Valve Cap | 1 |
| 10. | 701114 | O-ring .612 x .103 | 2 |
| 11. | 450035 | Handle | 1 |
| 12. | 520271 | Rotation Stop Pin | 1 |
| 13.* | 520269 | Fitting 3/8 NPT-F x M24 x 1.5 | 1 |
| 14. | 701119 | O-ring SQ 7/16ID x 1/8CS | 1 |
| 15. | 520338 | Nut, Pulse Pump Union | 1 |
| 16.* | 660239 | Ball Seal | 2 |
| 17.* | 520355 | Steam, Ball Valve, Pulse Pump | 1 |
| 18.* | 640009 | Ball, Ball Valve, Pulse Pump, SS | 1 |
| 19. | 640010 | Rotating Limiting Plate | 1 |
| 20.* | 640011 | Friction Disc | 1 |
| 21.* | 200063 | HHCS, Flanged, M5x10mm | 1 |
| 22.* | 701013 | O-ring .426 ID x .070 CS | 1 |
| 23.* | 660067 | Backup Ring | 1 |
| 24.* | 701117V90 | O-ring .799 x .103 | 1 |
| * | 100190 | Ball Valve Repair Kit | |

TORQUE SPECIFICATIONS*

| Pos. | Ft/lb | N-M |
|------|-------------|-------|
| 6 | 30 | 40.67 |
| 9 | 30 | 40.67 |
| 13 | 30 | 40.67 |
| 15 | 60 | 80.35 |
| 21 | 10-15 In/lb | 1.69 |

* Decrease torque by 20% if threads are lubricated.



General Pump is a member of the Interpump Group



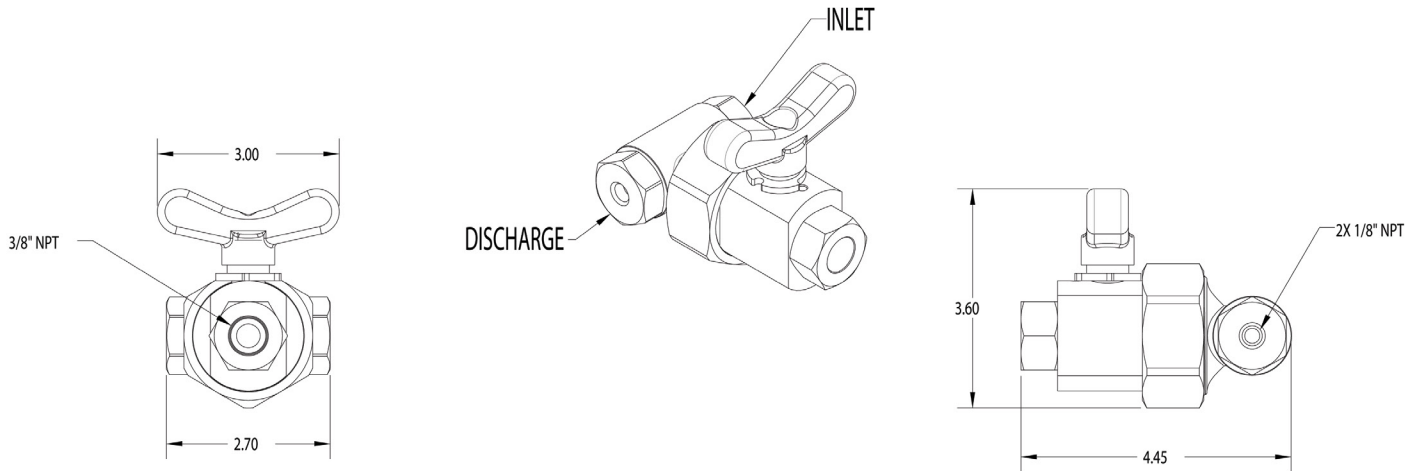
Ref 300624 Rev. E
06-18



VALVES & ADAPTERS

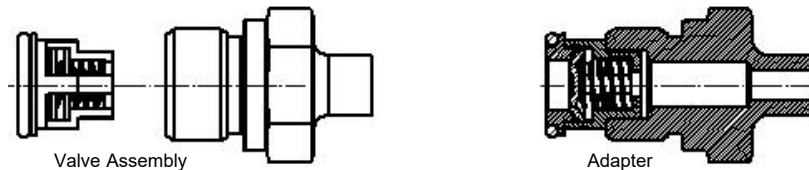
| PUMP SERIES | ADAPTER FITTING | VALVE ASSEMBLY |
|------------------|-----------------|----------------|
| 60 (TC, HTC) | 520275 | 103036 |
| 44 (EZ) | 520273 | 103036 |
| 63 (TX, HTX) | 520273 | 103036 |
| 47 (HTS) | 520274 | 103035 |
| 66 (HTF) | 520276 | 103090 |
| Cat 310/3CP/5CP2 | 520282 | N/A |
| Cat 5CP3/5CP5 | 520292 | N/A |
| 5CP6 | 520343 | N/A |

DIMENSIONS



INSTALLATION INSTRUCTIONS

From the drive pump remove one of the standard inlet valve plugs and its valve assembly and install the special valve assembly with a through hole in the plastic cage and install the special adapter with a 3/8"-18 NPT Male threads that is appropriate for the drive pump and tighten to proper torque. Thread the pulse pump pulse port 3/8"-18 NPT Female onto the special adapter 3/8"-18 NPT Male and tighten until the pulse pump inlet and outlet ports are at desired position. Install pulse pump inlet and outlet according to diagram.

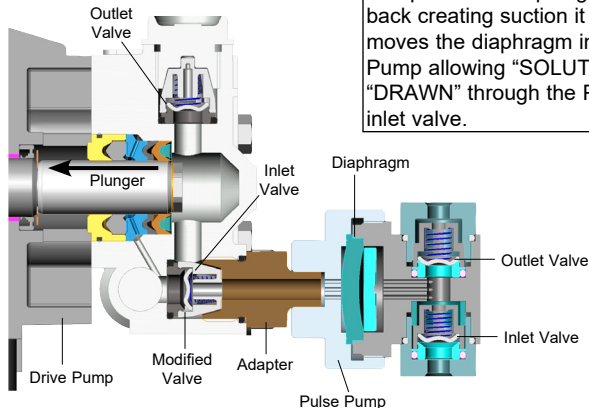


100152 GP Pulse Pump

CUTAWAYS & OPERATION

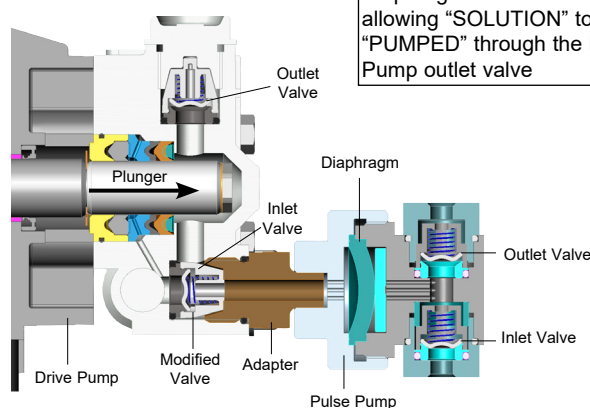
SUCTION / INLET

The Pulse Pump attached to one of the inlet valves of a Plunger Pump and as the plunger moves back creating suction it also moves the diaphragm in the Pulse Pump allowing "SOLUTION" to be "DRAWN" through the Pulse Pump inlet valve.



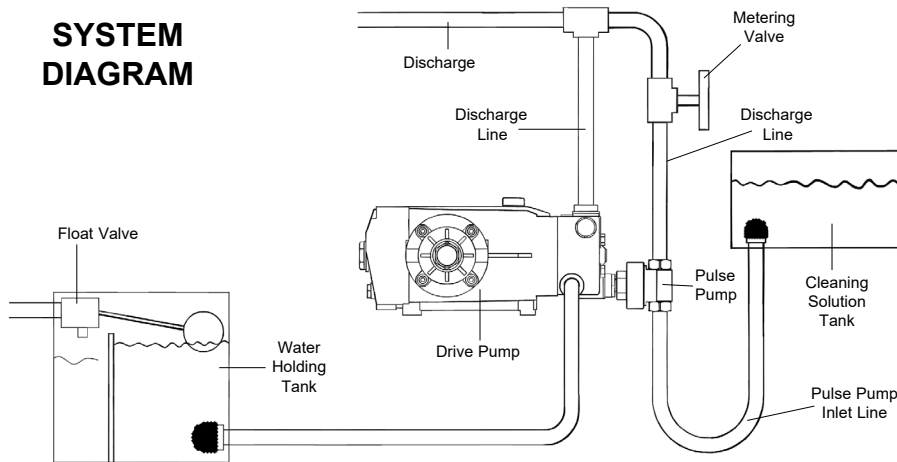
DISCHARGE

When the Pump Plunger moves Forward it also moves the Diaphragm in the Pulse Pump allowing "SOLUTION" to be "PUMPED" through the Pulse Pump outlet valve



CUTAWAYS & OPERATION

SYSTEM DIAGRAM



Pulse Pump will not draw cleaning solution with a pressurized inlet to the drive pump. For optimum performance inlet pressure to the drive pump should be zero or negative but not to exceed drive pump specifications.

To adjust the amount of cleaning solution drawn into the system, install a metering valve in the discharge line of the pulse pump.

The pressure limit of 1500 PSI is due to the diaphragm.

START-UP INSTRUCTIONS

With the drive pump open and pulse pump metering valve open (no back pressure), start drive pump. After water starts to flow from system check to be sure the pulse pump is primed and pumping. Then install nozzle and set drive pump pressure to desired discharge pressure. After the unit is operating, adjust metering valve to obtain desired water/cleaning solution ratio.

Mixing ratio varies with output of drive pump.

TROUBLESHOOTING

No cleaning solution supply from Pulse Pump:

- System not primed
Airlock between drive pump and pulse pump diaphragm
Airlock in pulse pump inlet line
- Failure of diaphragm
- Foreign material in Pulse Pump inlet and outlet valve

Limited cleaning solution supply from Pulse Pump:

- Restriction between drive pump and pulse pump
- Restriction in metering valve
- Worn inlet and outlet valves

Ref 300624 Rev. E
06-18

